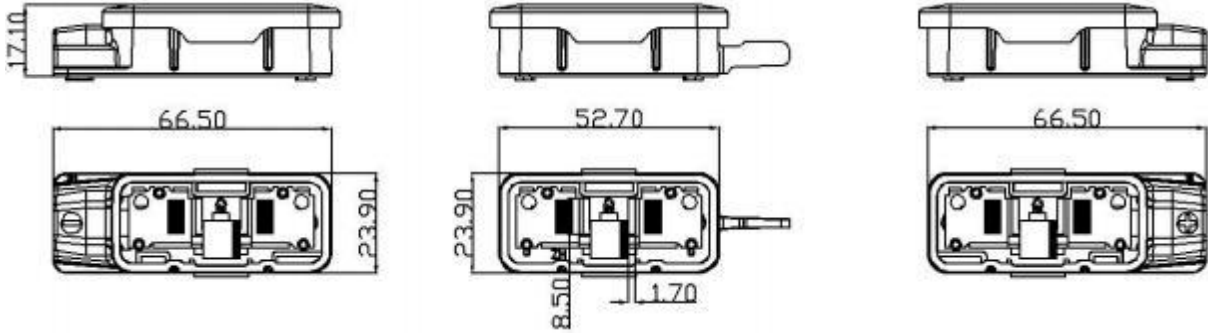




TUVID B0826300026/UL ID E330400
NO.:ZH011C-5-03 Ver:A/0



技术参数

Technical data

额定电流 Rated current	25A/30A	火焰等级 Flame class	5VB
额定电压 Rated voltage	1500V	环境温度范围 Ambient temperature range	-40℃...+85℃
防护等级 Degree of protection	P68(1m, 1h)	RTI Housing material	110℃
安全等级 Safety class	II	连接线规格 Wire Type	4mm ²
连接器 Connector	PV-ZH202B or EVO2	二极管型号 diode type	35SQ045 for 25A 40SQ045 for 30A
配置不同型号的二极管可改变接线盒的工作电流 The max working current of box will be changed when fixed with different types of diode			